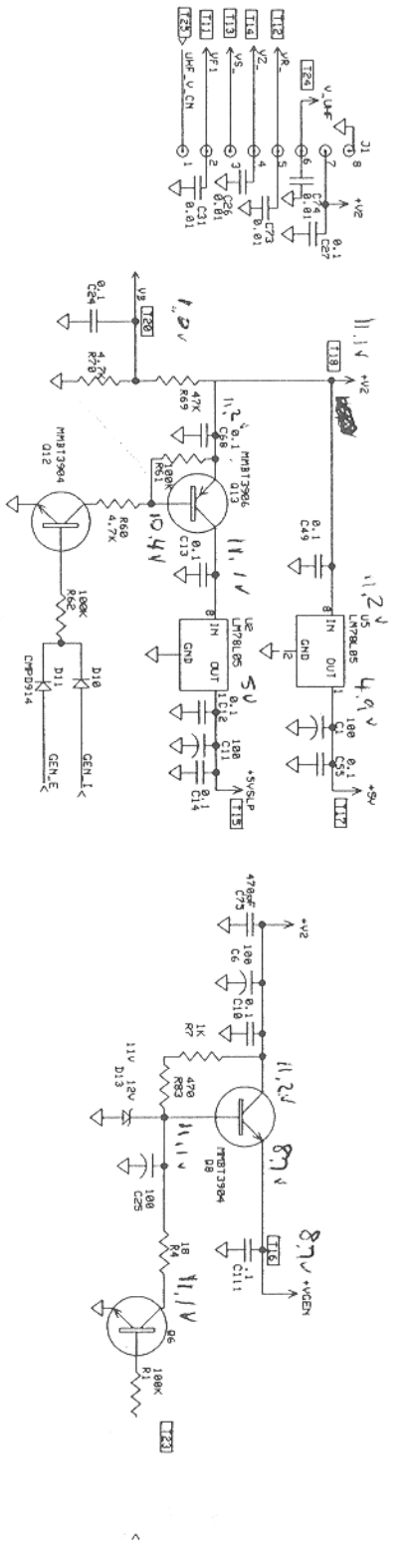
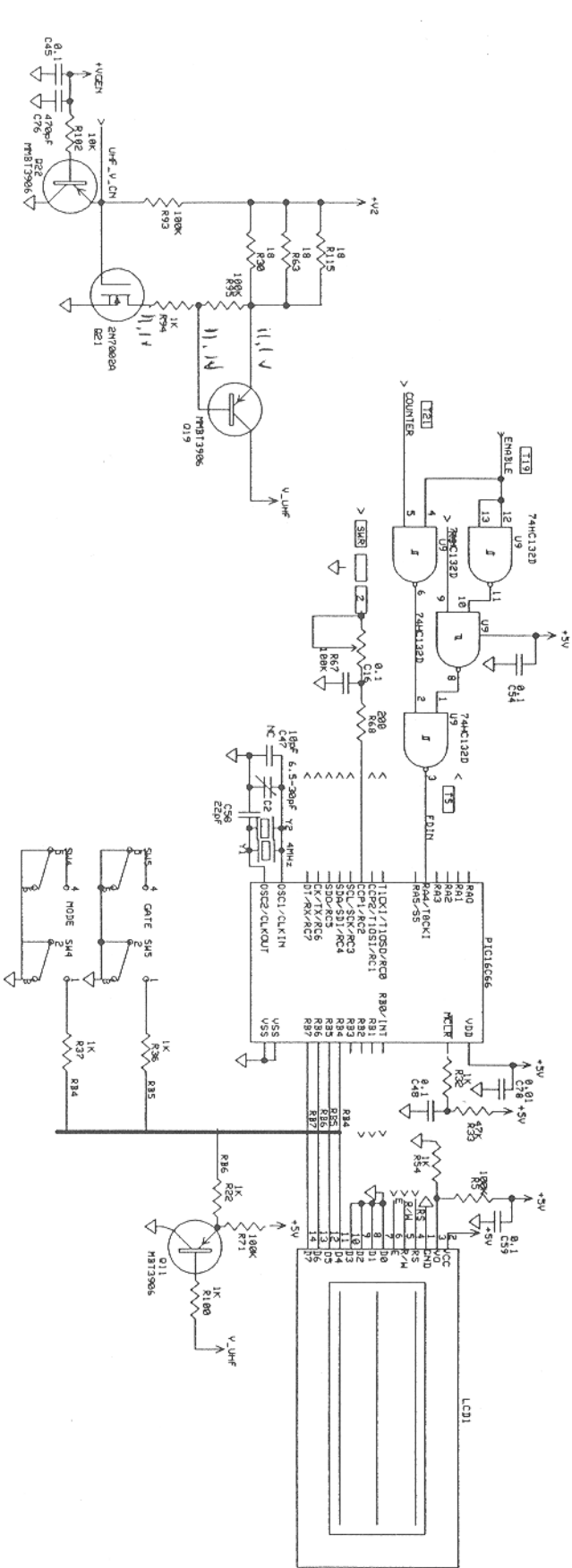


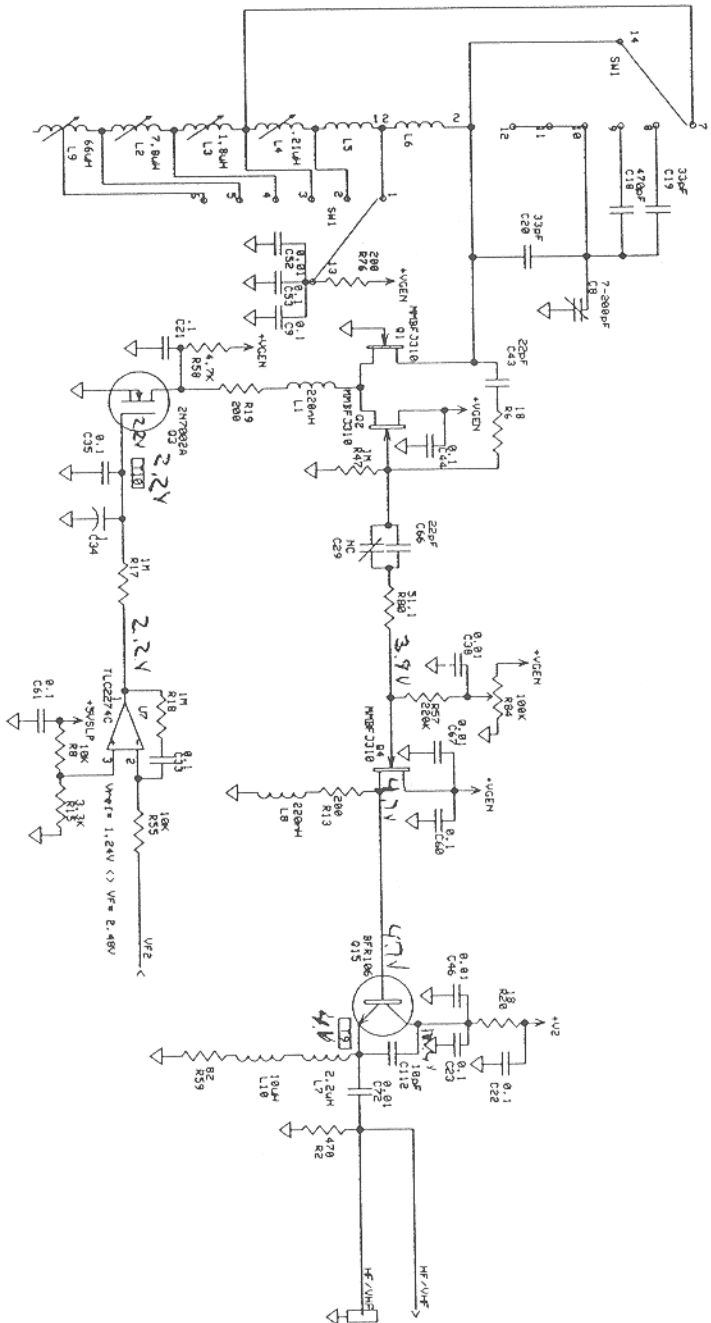


VERSION 8A



RESISTANCE VALUES ARE IN OHMS
CAPACITANCE VALUES ARE IN MICROGRAMS
UNLESS OTHERWISE SPECIFIED

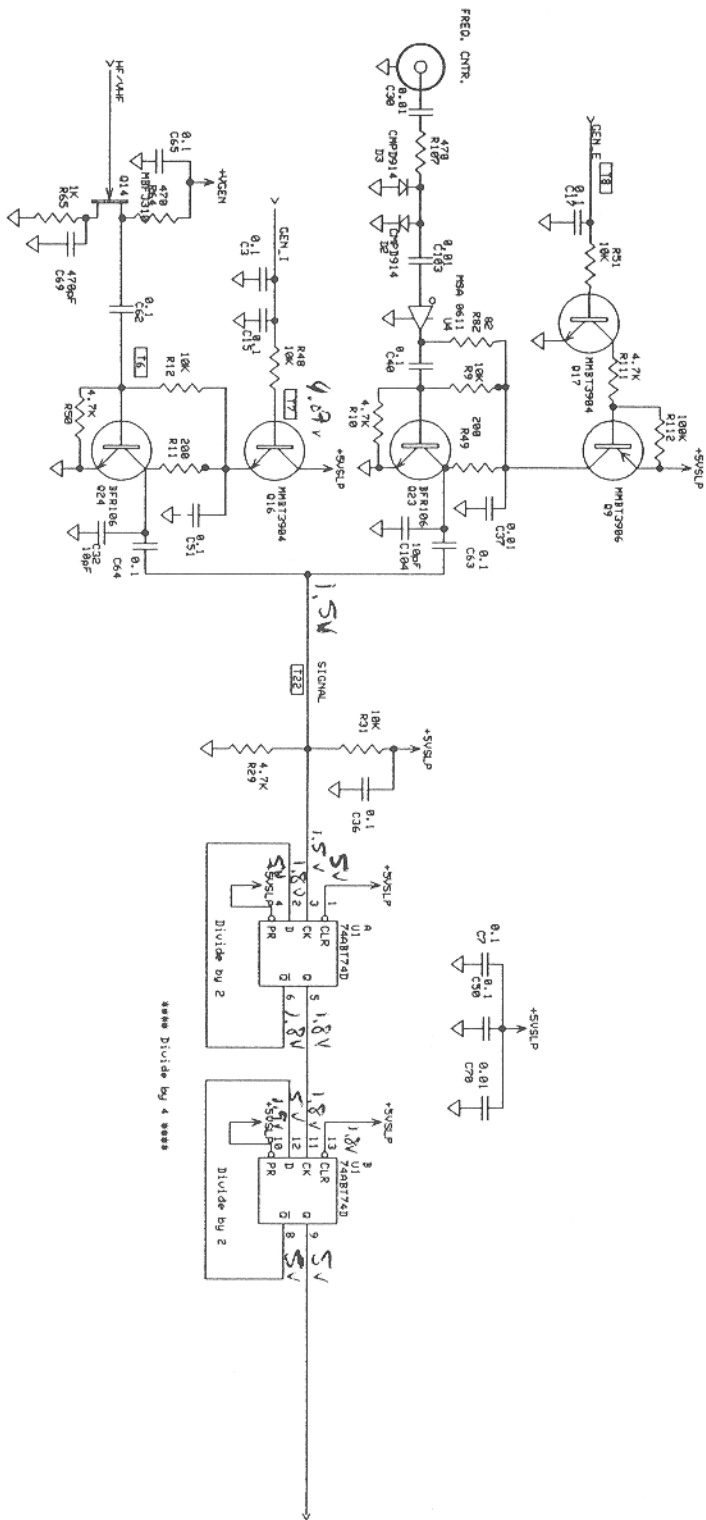
DATE: 08/02	PC BOARD: 1	PC ENTERPRISES, INC.
REVISED: 08/02	PRINTED BY: 300 INDUSTRIAL PARK RD	STARKVILLE, MS 39759
PROJECT NO: 23	662-0259	SHEET 1 OF 5
DESCRIPTION: PCMI1: M3		



RESISTANCE VALUES ARE IN OHMS
 CAPACITANCE VALUES ARE IN MICROGRAMS
 UNLESS OTHERWISE SPECIFIED

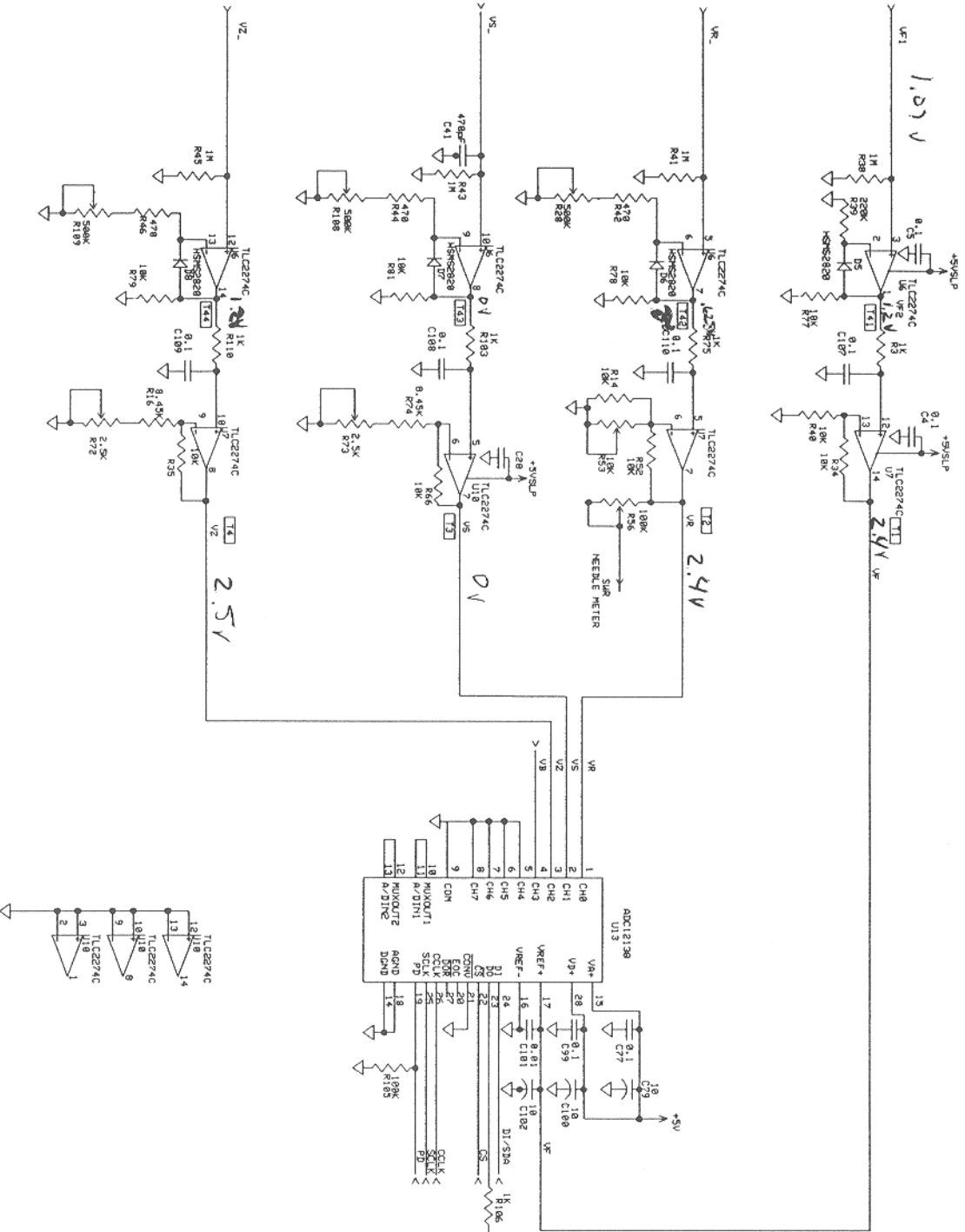
PROJECT NO.	28	DATE	10/2/59
DESCRIPTION	OSCILLATOR	DESIGNED BY	STARKVILLE MS 39759
REVISION		APPROVED BY	

7/1/59
 100 INDUSTRIAL PARK RD
 STARBUCKLE MS 39759



RESISTANCE VALUES ARE IN OHMS
CAPACITANCE VALUES ARE IN MICROFARADS
UNLESS OTHERWISE SPECIFIED

PROJECT NO.	23	PART NO.	882-0259	SHEET 4	OF 3
DESCRIPTION	PC BOARD SWITCH, PRESCALER				
DATE	FEBRUARY 1982				
DESIGNED BY	JAMES W. STROKOVILLE HS 39799				
F2 ENTERPRISES, INC. 386 INDUSTRIAL PARK RD STROKOVILLE HS 39799					



u6
 P_{in} 1.2V
 2.1V
 3.1.0V
 4.4.9V
 5.4.9V
 6.4.9V
 7.6.28V
 8.0V
 9.0V
 10.0V
 11.0V
 12.1.0V
 13.1.0V
 14.1.2V

u7
 P_{in} 1.2.2V
 2.1.2V
 3.1.2V
 4.4.9V
 5.6.28V
 6.6.28V
 7.2.4V
 8.2.5V
 9.1.2V
 10.1.2V
 11.0V
 12.1.2V
 13.1.2V
 14.2.4V

u10
 P_{in} 1.0V
 2.0V
 3.0V
 4.4.9V
 5.0V
 6.0V
 7.0V
 8.4.9V
 9.0V
 10.0V
 11.0V
 12.0V
 13.0V
 14.0V

RESISTANCE VALUES ARE IN OHMS
 CAPACITANCE VALUES ARE IN MICROGRAMS
 UNLESS OTHERWISE SPECIFIED

PROJECT NO.	23	DATE	10/23/83
DESCRIPTION	PC BOARD		
DESIGNER	W. J. BROWN	DR. J. BROWN	REVISED
DATE	10/23/83	BY	W. J. BROWN
REVISION	1	DESCRIPTION	PC BOARD
			300 INDUSTRIAL PARK RD
			STARKVILLE MS 39729